

RAVON™  
manufatura

2019





We believe that Poland is the birthplace of best products and that is why we produce freestanding baths of the highest quality there. Perfect skills of our workers and best quality materials guarantee an ideal final product – a freestanding bath by Ravon.

The Ravon baths are of highest quality because we use materials of uncompromised properties –QualTec composite. It is extra-reinforced with glass fibre for durability and smoothness and water heat retaining (due to an extra insulation layer). Our baths, besides being extraordinarily durable and abrasion-resilient, have a delicate and smooth to touch alabaster-like surface which makes it very comfortable for a relaxing soak, as well as easy to clean.

We take great pride in ensuring the best quality of our baths, so that you and your loved ones enjoy them every day for years.

The durability and uniqueness of our baths are possible thanks to reliable work of Polish craftsmen. We put great effort to create perfect products. Baths by Ravon are made with the aim to meet the needs of most capricious soak lovers.



Resilient to temperature changes



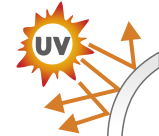
Easy to clean



Improved resistance to mechanical damage



Super-hygienic



UV proof



Improved stain-resilience

## QualTec

This top quality ultra-modern non-yellowing overtime composite is produced on the basis of polyester resin reinforced with chemical-resilient glass fibre, lined with a polymer layer of improved resilience abrasion and scratches. Available in any colour from the RAL System palette.

The Ravon QualTec composite is an excellent choice for those who desire ultimate quality. This material is very pleasant to touch, perfectly smooth and enjoyably warm - it effectively retains water heat. It is also practical - easy to clean without any special detergents. This material is very resilient to chemical erosion and it is strong. The layered structure of QualTec composite guarantees that it is built to last, at the same time being lightweight. It is resistant to high and low temperatures and UV radiation which make it ideal for both indoor and outdoor use.



Warm to touch



Environmentally friendly



Reparable and restorable



RAL colour system palette



100% hand-made

**32%**

32% better heat retaining



RAYON  
MANUFACTURE

# AMBIENTE

Dimensions: 72-2/5 x 32 x 30 cal

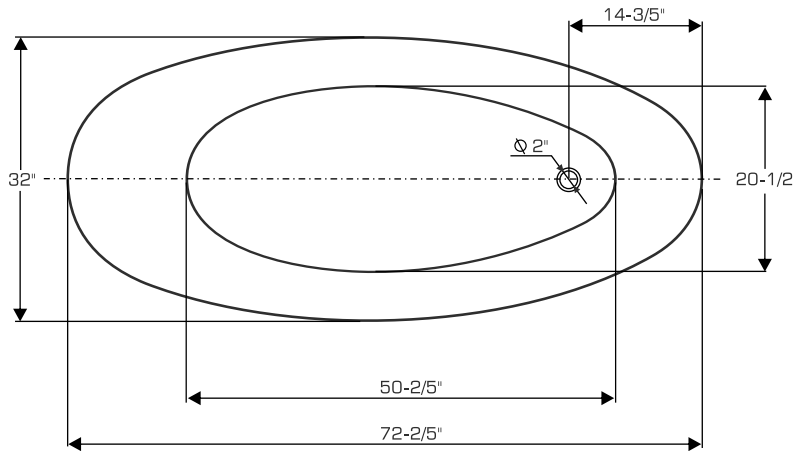
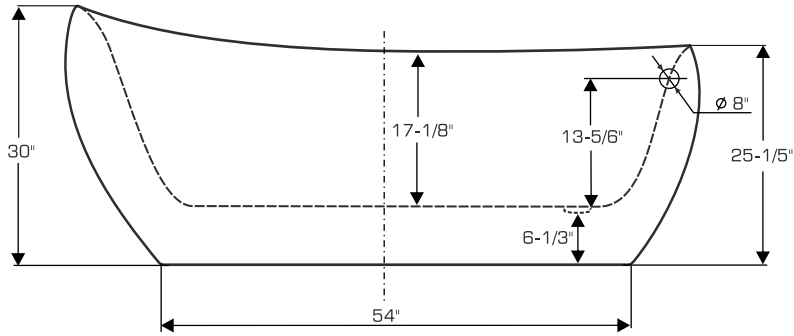
Material: QualTec composite

Colour: Ravon colour palette

Capacity: 63 gal

Weight: 143 lb

Weight with package: 187 lb



The Ravon Ambiente is a freestanding bath made from QualTec material. The form of the tub is streamlined and slightly asymmetrical, inspired by nature, reminding almond nut shell. Such a husk shape is very popular nowadays, which is why we decided to implement it. The tub is broader at its head and thinner at the other end; its inner walls slightly converge towards the bottom which ensures a comfortable body position during the soak. The freestanding bath is fairly long, so it is suitable for taller persons as well.

AMBIENTE





# WISTERIA

Dimensions: 68-4/5 x 29-1/5 x 26-4/5 cal

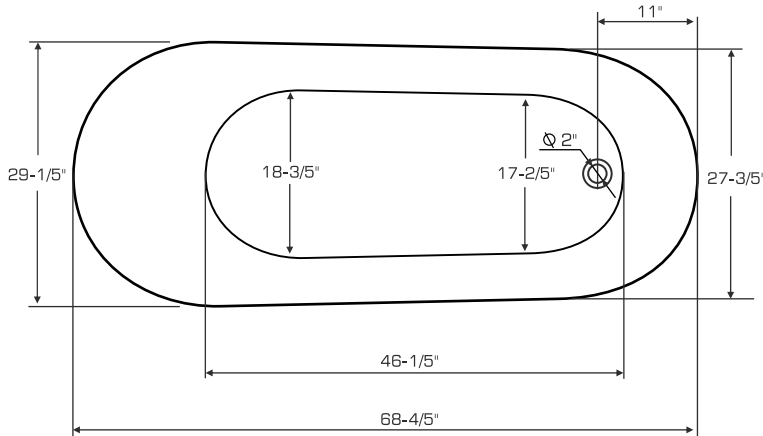
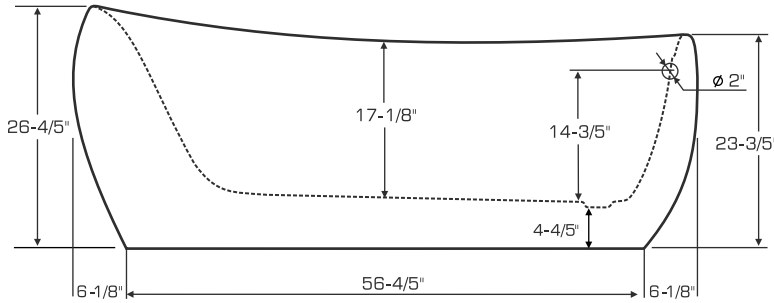
Material: QualTec composite

Colour: Ravon colour palette

Capacity: 56 gal

Weight: 136 lb

Weight with package: 180 lb



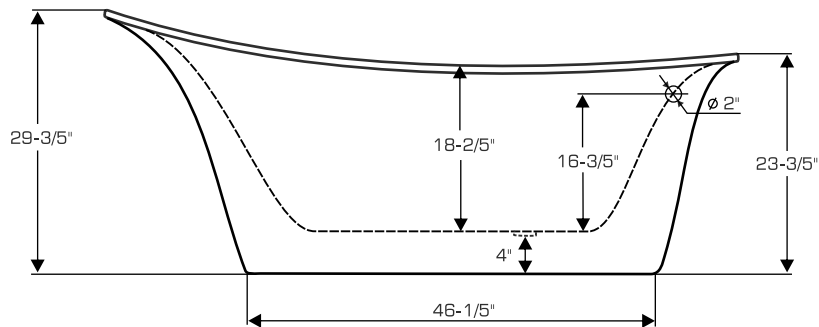
The Wisteria tub is made with innovative technology of QualTec composition. This material ensures longer soaks when water remains warm, and the surface of the tub is very smooth and pleasant to touch. Symmetrical delicate lines give this tub a timeless character and attracts many buyers. Designers created a beautiful and practical model, which has been very popular since the beginning. The Wisteria tub is on the moderate side when it comes to dimensions, which makes it quite universal. Shorter persons can lie down effortlessly inside it and will not feel any discomfort of sliding feet. Tall soak lovers should also feel comfortable and relaxed.



WISTERIA







## EUPHORIA

Dimensions: 70-1/5 x 34-4/5 x 29-3/5 cal

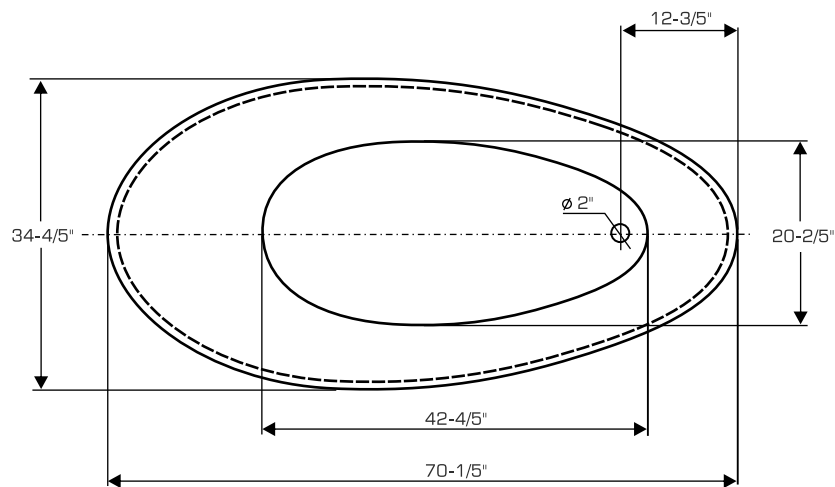
Material: QualTec composite

Colour: Ravon colour palette

Capacity: 55 gal

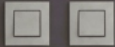
Weight: 132 lb

Weight with package: 176 lb



Apart from its top quality, the Euphoria model is a tub suitable both for modern interiors and for classical or retro-styled ones. Its form is designed to fit them all which is great when you decide to re-decorate your bathroom. The Euphoria tub is exceptionally comfortable due to its ergonomic shapes. It is broader and much higher at its head, which guarantees long relaxing baths for every soak lover.





# MODERN

Dimensions: 71 x 31-1/2 x 24-4/5 cal

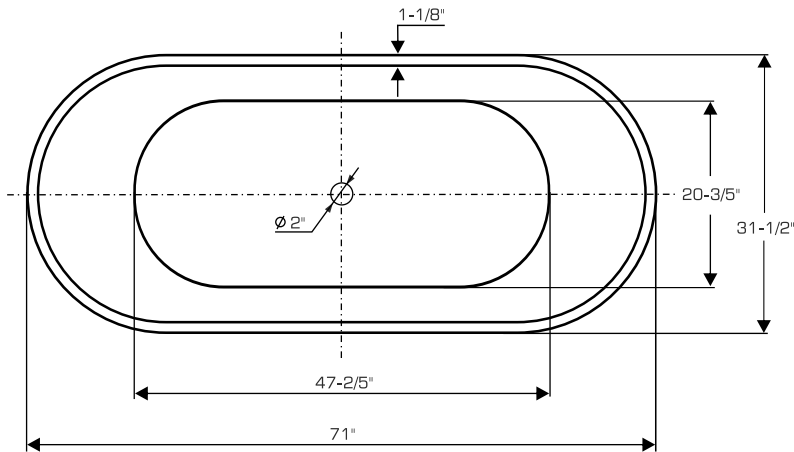
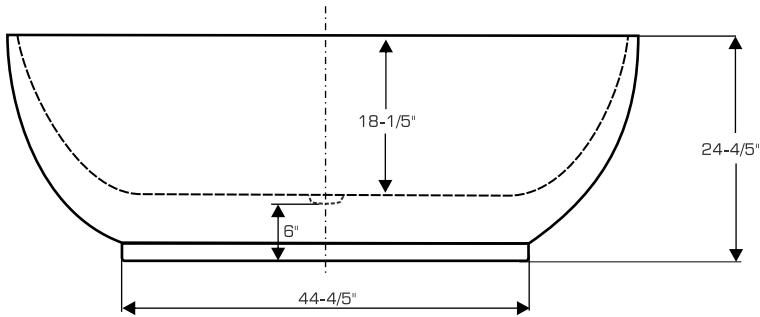
Material: QualTec composite

Colour: Ravon colour palette

Capacity: 230 l

Weight: 143 lb

Weight with package: 187 lb



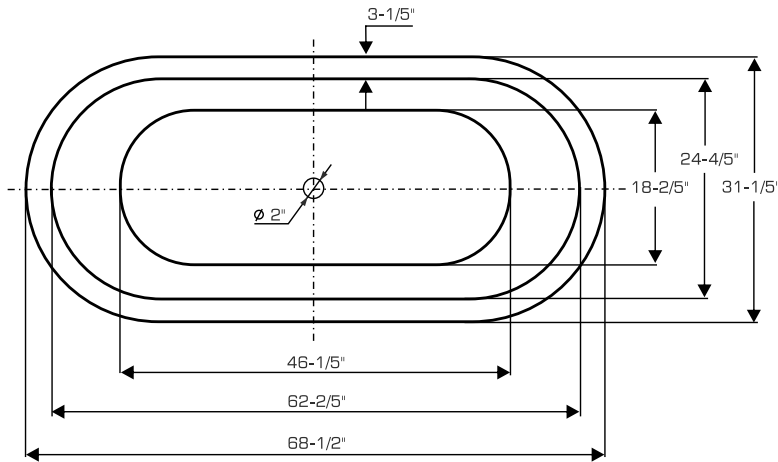
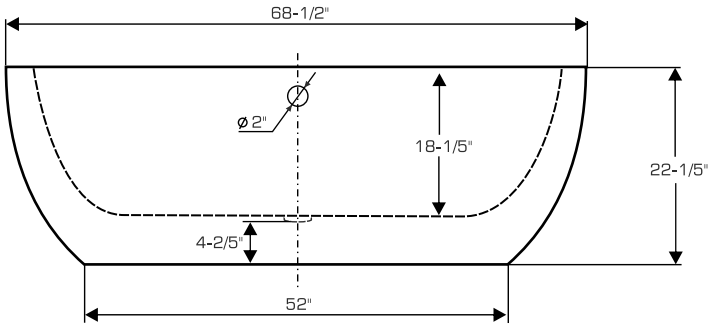
Freestanding bathtub Ravon Modern, is the longest produced model from QualTec material and continues to attract the interest. Designers recommend it mainly to larger bathrooms, because it visually looks like a large bathtub, however, its dimensions are similar to most models of our freestanding baths. The Modern model is dedicated to modern bathrooms, but our customers and designers often choose it for bathrooms in the "conservative" style. The Modern tub due to its width is perfect for double bathing.

MODERN









## GENESIS

Dimensions:  $68\frac{1}{2}$  x  $31\frac{1}{5}$  x  $22\frac{1}{5}$  cal

Material: QualTec composite

Colour: Ravon colour palette

Capacity: 58 gal

Weight: 116 lb

Weight with package: 160 lb

Freestanding bathtub Ravon Genesis ist made of special high-tech QualTec material. Tough its classic shape, it looks great in traditional and modern bathrooms and it will never go out of fashion. The essential feature of the Genesis model is the wide bank on which you can install the fitting. The banks are wide enough to lay arms on it while bathing. The inner space is very comfortable and its shape is well profiled for tall and short persons. The value feature of the Genesis bathtub is it size. It will fit in a not-large bathroom.

GENESIS





## SPACE

Dimensions:  $70\frac{3}{5}$  x  $31\frac{1}{5}$  x  $22\frac{3}{5}$  cal

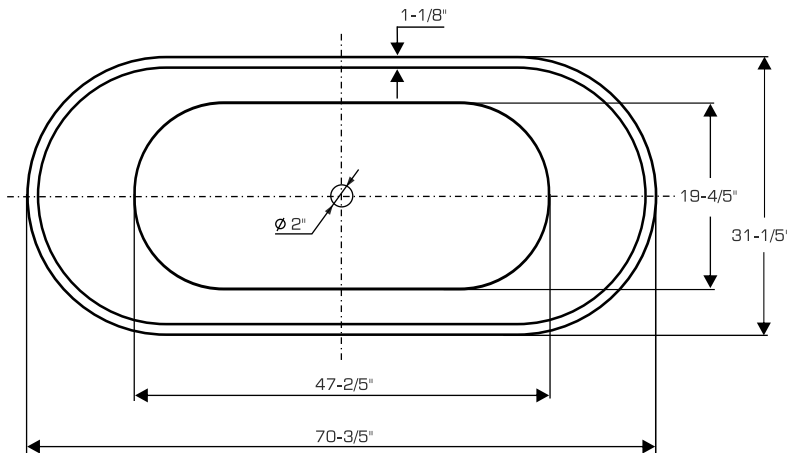
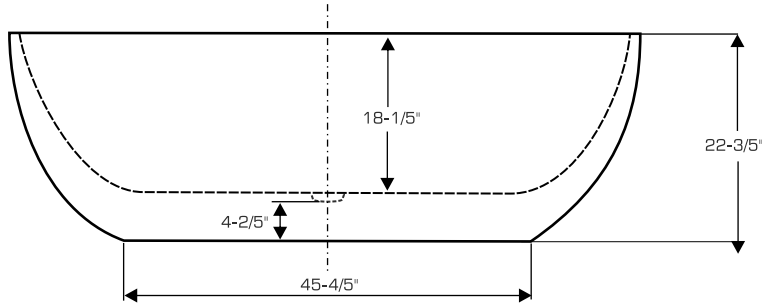
Material: QualTec composite

Colour: Ravon colour palette

Capacity: 56 gal

Weight: 132 lb

Weight with package: 176 lb



Freestanding bathtub Ravon Space ist made of special QualTec material. The designers are recommending it to bigger bathrooms, where you can expose it timeless design. Although in smaller rooms it will look beautiful also. Space is a tub dedicated to modern bathrooms, as well as to the classical ones. The bathtub was created for long and relaxing baths, even for two, thanks to it well organized inner space.

SPACE

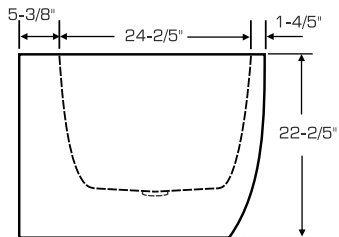
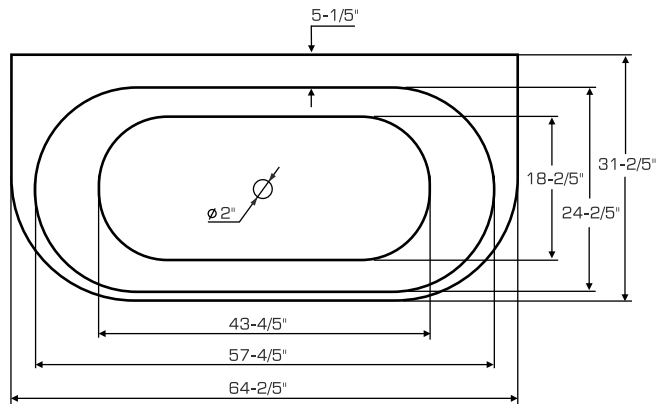
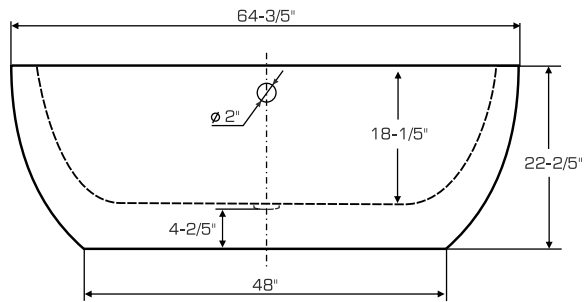


SENSUAL



SENSUAL





## SENSUAL

Dimensions: 64-3/5 x 31-2/5 x 22-2/5 cal

Material: QualTec composite

Colour: Ravon colour palette

Capacity: 52 us

Weight: 116 lb

Weight with package: 160 lb

The Ravon Sensual Wall free-standing bathtub is a product made with the modern technology of QualTec multilayer composite. The uniqueness of the Ravon Sensual wall-mounted bathtub lies not only in its external charm but also in its wide edge, which is 5-1/5 cal tall! The rim is substantial and very practical, it is an ideal place for the assembly of fittings, and will also serve as a shelf.





KOLORY RAVON - unikalny system standardowych kolorów Ravon.

## QualTec

This top quality ultra-modern non-yellowing overtime composite is produced on the basis of polyester resin reinforced with chemical-resilient glass fibre, lined with a polymer layer of improved resilience abrasion and scratches. Available in any colour from the RAL System palette.

The Ravon QualTec composite is an excellent choice for those who desire ultimate quality. This material is very pleasant to touch, perfectly smooth and enjoyably warm - it effectively retains water heat. It is also practical - easy to clean without any special detergents. This material is very resilient to chemical erosion and it is strong. The layered structure of QualTec composite guarantees that it is built to last, at the same time being lightweight. It is resistant to high and low temperatures and UV radiation which make it ideal for both indoor and outdoor use.





## Marmonit

Marmonit to pochodna popularnie nazywanych materiałów, takich jak sztuczny marmur, dolomit, konglomerat. Marmonit to kompozyt stworzony przez manufakturę Ravon, na potrzeby realizacji prostych, wyraźnie zarysowanych, cienkich ścianek czy też kanciastych, bardziej kubistycznych form. Marmonit to tworzywo plastyczne, o niejednorodnej strukturze zbudowanej z dwóch komponentów. Z jednej strony żywice poliestrowe zapewniają produktowi sanitarnemu spójność, trwałość i elastyczność oraz odporność na uszkodzenia mechaniczne, a z drugiej komponent konstrukcyjny tworzy samonośną, zwartą strukturę, gwarantującą wytrzymałość konstrukcyjną produktu finalnego.



## PureStone

PureStone czyli materiał mineralno-poliestrowy (materiał typu Solid Surface), bardzo trwały i plastyczny, odporny na różne niesprzyjające i trudne warunki, świetnie sprawdza się w miejscach użyteczności publicznej, publicznych łazienkach, pomieszczeniach laboratoryjnych, gdzie natężenie ruchu i eksploatacja jest bardzo wysoka. Kompozyt PureStone jest niezwykle twardy i jednocześnie bardzo gładki, przyjemny w dotyku. Jak marmonit charakteryzuje się dużą tolerancją na formowanie nietypowych kształtów. Marka Ravon wytwarza produkty z PureStone w wersji matowej oraz w połysku.

MARMONIT PURESTONE QUALTEC



Piano Black



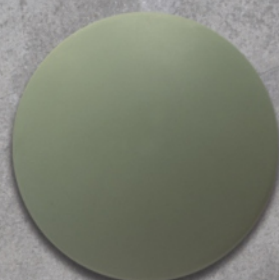
Gray



Cement



Hot Chocolate



Forest Green



Light Gray



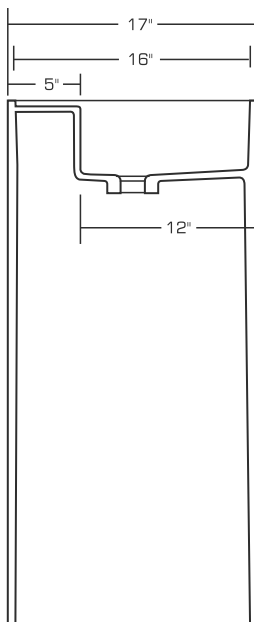
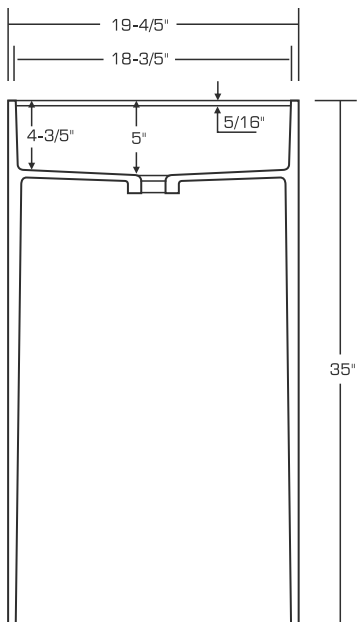
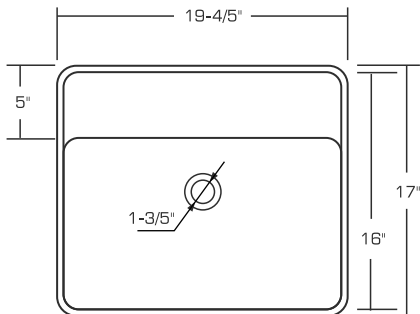
Ocean Blue



Classic Cream



Pearl White



## GLADIO BASIN

Dimensions:  $19\frac{4}{5} \times 17 \times 35$  cal

Material: Marmonit glossy

Pure Stone - matt/glossy

Colour: Ravon colour palette

Weight: 149 lb

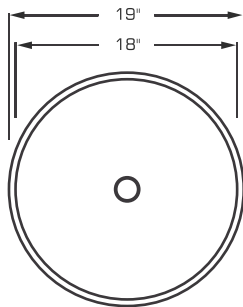
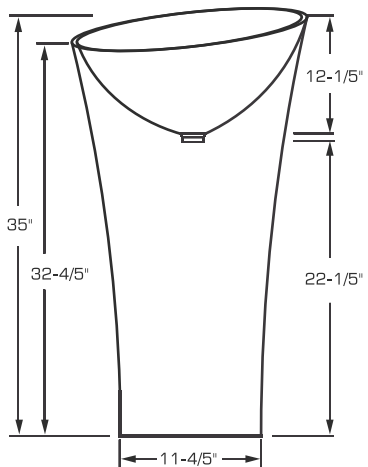
Weight with package: 194 lb





SAXO

Freestanding RAVON SAXO basin is a perfect combination of modern design and universal shape, that is made to make a statement in any stylish bathroom. RAVON SAXO can be made with highly durable and exceptionally smooth marmonit with a glossy or matt finish, which was specially developed in our studio. Pure Stone material used to create our product has a silky texture that is very soft and tactile and most importantly, extremely resistant to stains and scratch marks.



## SAXO

Dimensions: 19 x 19 x 35 cal

Material: Marmonit glossy

Pure Stone - matt

Colour: Ravon colour palette

Weight: 61 lb

Weight with package: 45 kg





## SAXO overtop basin

Dimensions: 19 x 19 x 22-1/2 cal

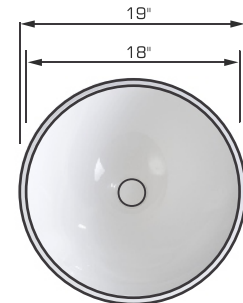
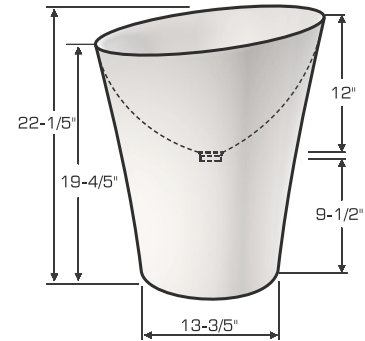
Material: Marmonit glossy

Pure Stone - matt

Colour: Ravon colour palette

Weight: 46 lb

Weight with package: 83 lb





## SAXO inset basin

Dimensions: 19 x 19 x 12-1/5 cal

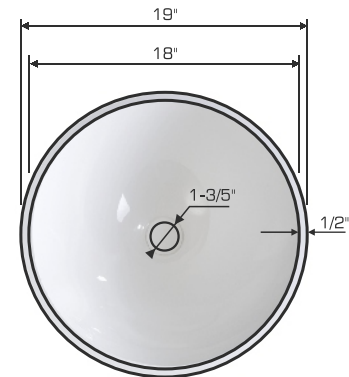
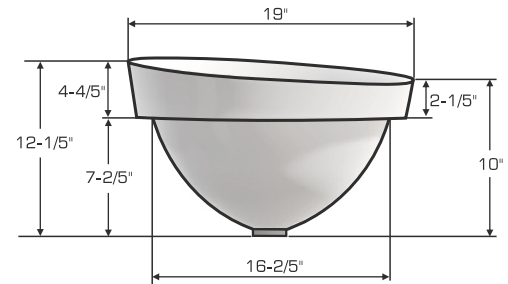
Material: Marmonit glossy

Pure Stone - matt

Colour: Ravon colour palette

Weight: 28 lb

Weight with package: 35 lb







## LOVELY inset basin

Dimensions: 18 x 18 x 9 cal

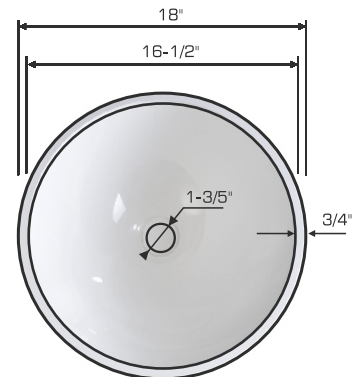
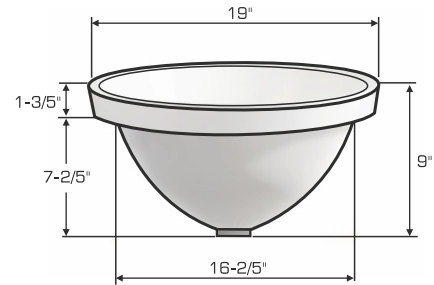
Material: Marmonit glossy

Pure Stone - matt

Colour: Ravon colour palette

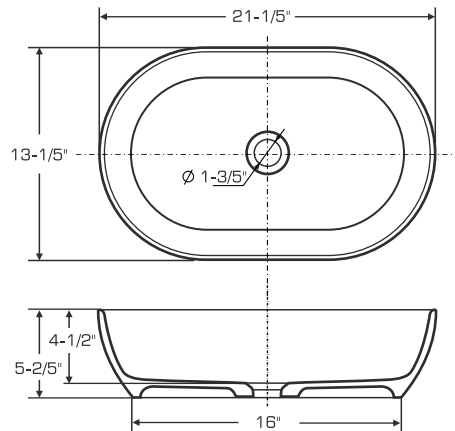
Weight: 24 lb

Weight with package: 28 lb





Dimensions: 21-1/5 x 13-1/5 x 5-2/5 cal  
Material: Marmonit glossy  
Pure Stone - matt  
Colour: Ravon colour palette  
Weight: 15 lb  
Weight with package: 19 lb



## SPACE BASIN

Counter top basin RAVON SPACE is seamlessly crafted to suit every interior scheme. Its modern and minimalistic shape allows it to blend effortlessly into your space and enhance any bathroom design. Perfectly created to compliment our freestanding RAVON SPACE bath.

# EUPHORIA BASIN

Dimensions: 23 x 14-3/5 x 7-1/2 cal

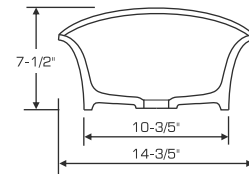
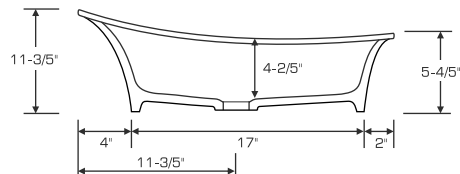
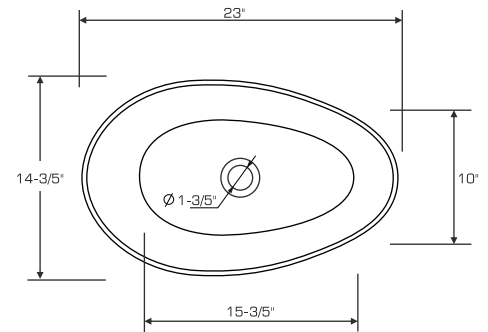
Material: Marmonit glossy

Pure Stone - matt

Colour: Ravon colour palette

Weight: 15 lb

Weight with package: 22 lb





# EUPHORIA BASIN

Dimensions: 23-5/8 x 15 x 35-1/2 cal

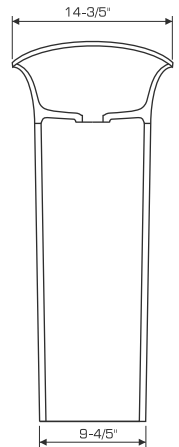
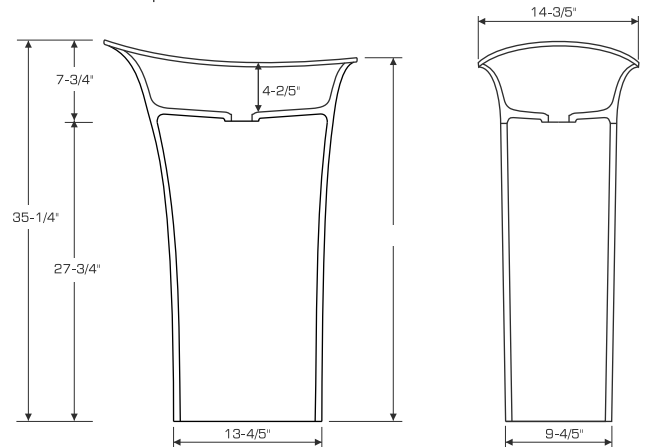
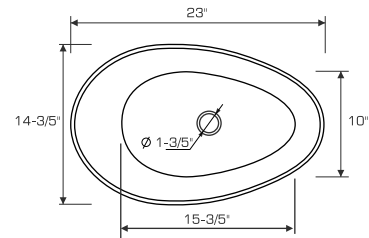
Material: Marmonit glossy

Pure Stone - matt

Colour: Ravon colour paletteL

Weight: 66 lb

Weight with package: 110 lb





## POSTUMENT

Dimensions: 17-2/5 x 6-1/2 x 19 - 26 cal

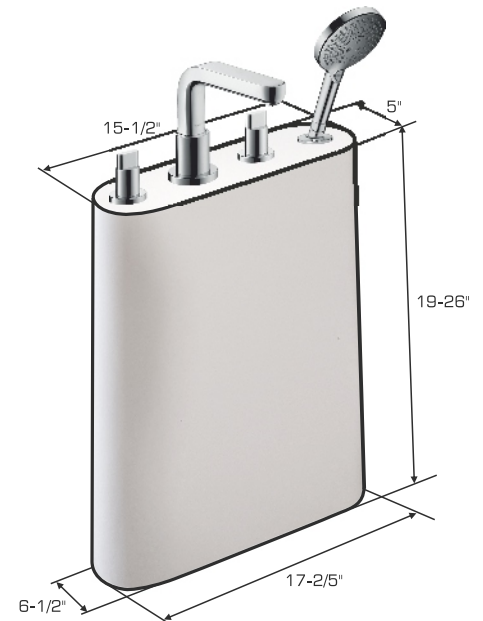
Material: Marmonit glossy

Pure Stone - matt

Colour: Ravon colour palettE

Weight: 28 lb

Weight with package: 55 lb





  
**RAVON** *Limited*  
manufatura









The RAVON MODERN Bathtub - hand-painted. The graphics inspired by the Roy Lichtenstein's art.



ravon.pl

